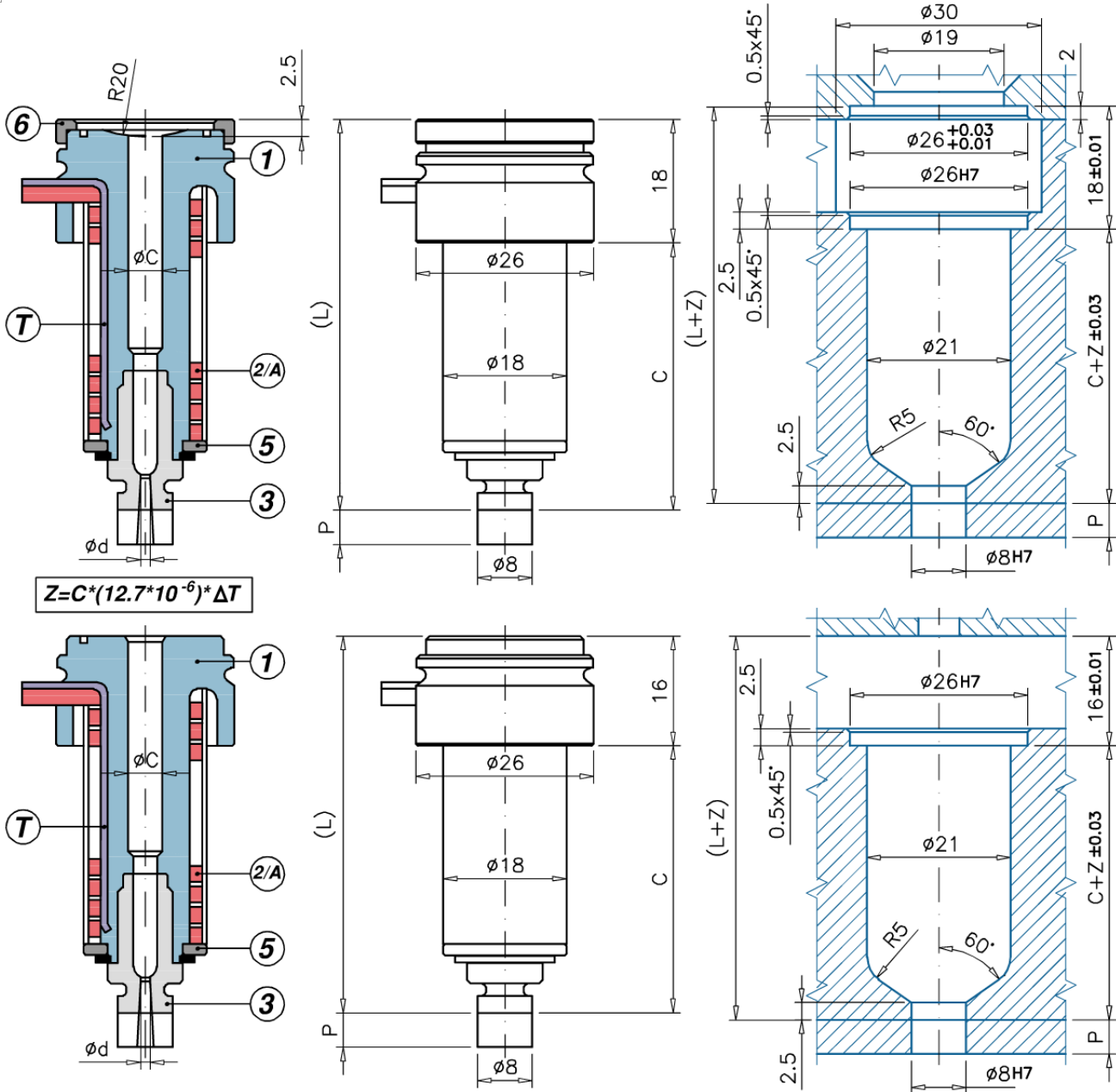


## S Applicazione Impronta Singola

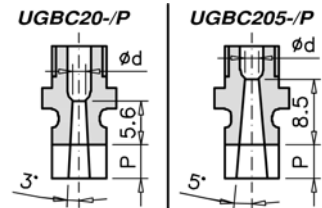


## M Applicazione impronta multipla

Ugello	C	S		M		1	A 2/A	B 2/B	T	-P		0/1		5	8
		L	6	L	7					3	3/P	4/0	4/1		
UGBE2001	SM A/B -P 3	45	63	UGAS2623	61	UGCR2001	REPNSP2001	REDN2001	S100851000J	UGBC20	UGBC20P			UGBE200AR	
UGBE2001	SM A/B -P 5	45	63	UGAS2623	61	UGCR2001	REPNSP2001	REDN2001	S100851000J	UGBC205	UGBC205P			UGBE200AR	
UGBE2002	SM A/B -P 3	60	78	UGAS2623	76	UGCR2002	REPNSP2002	REDN2002	S100851000J	UGBC20	UGBC20P			UGBE200AR	
UGBE2002	SM A/B -P 5	60	78	UGAS2623	76	UGCR2002	REPNSP2002	REDN2002	S100851000J	UGBC205	UGBC205P			UGBE200AR	
UGBE2003	SM A/B -P 3	80	98	UGAS2623	96	UGCR2003	REPNSP2003	REDN2003	S101051000J	UGBC20	UGBC20P			UGBE200AR	
UGBE2003	SM A/B -P 5	80	98	UGAS2623	96	UGCR2003	REPNSP2003	REDN2003	S101051000J	UGBC205	UGBC205P			UGBE200AR	
UGBE2004	SM A/B -P 3	100	118	UGAS2623	116	UGCR2004	REPNSP2004	REDN2004	S101051000J	UGBC20	UGBC20P			UGBE200AR	
UGBE2004	SM A/B -P 5	100	118	UGAS2623	116	UGCR2004	REPNSP2004	REDN2004	S101051000J	UGBC205	UGBC205P			UGBE200AR	

- 1 = Corpo ugello
- 2/A = Resistenza spiralata
- 2/B = Resistenza in fusione
- 3 = Boccola
- 3/P = Boccola con prolungamento lavorabile
- 5 = Anello in titanio
- 6 = Anello di centraggio
- 7 = O-RING

ØC = Standard: 4 - A richiesta: 5  
 Ød = standard: 1 - A richiesta: 0,8 + 2,0  
 P = standard: 10 - A richiesta: 0,5 + 9,9  
 T = Termocoppia tipo J



8 = Resistenza spiralata con TCJ