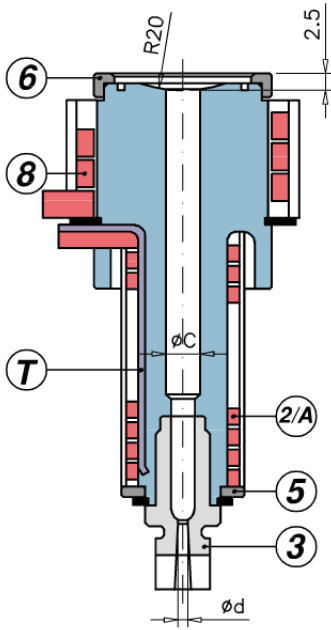
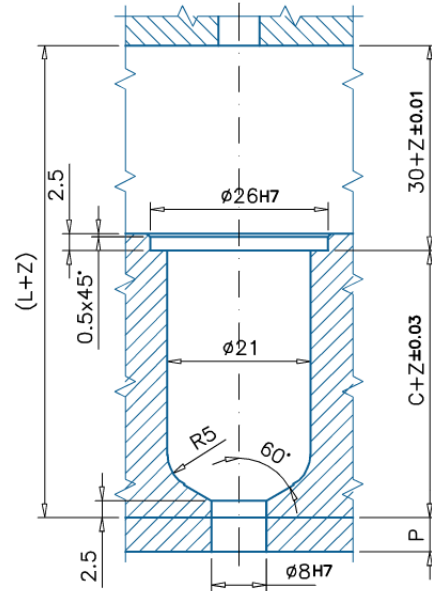
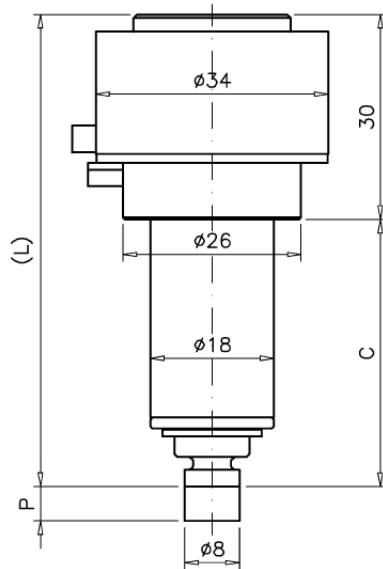
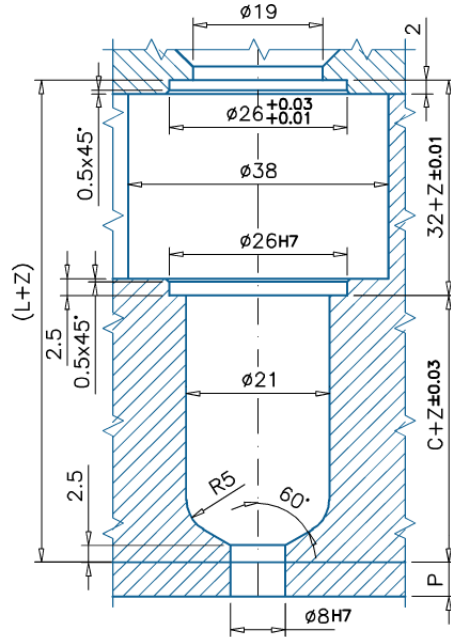
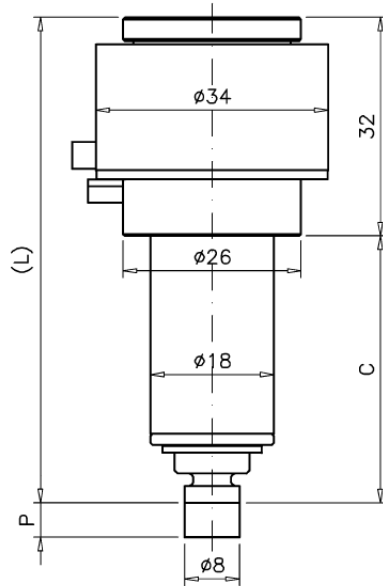
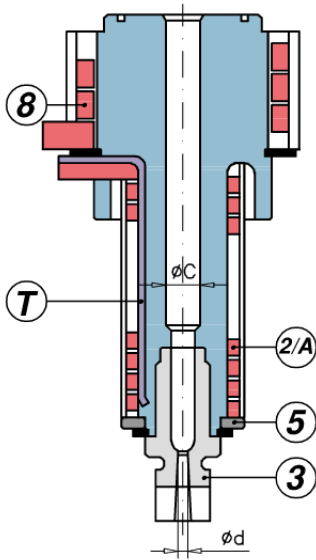


**S** Applicazione Impronta Singola



$$Z = C * (12.7 * 10^{-6}) * \Delta T$$



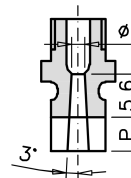
**M** Applicazione impronta multipla

Ugello	C	S		M		1	A	B	T	-P		0/1		5	8
		L	6	L	7					3/P	3/P	4/0	4/1		
UGBE2501	SM A/B -P 3	45	77	UGAS2623	75	UGCR2501	REPNSP2001	REDN2001	S100851000J	UGBC20	UGBC20P			UGBE200AR	REPTS250
UGBE2501	SM A/B -P 5	45	77	UGAS2623	75	UGCR2501	REPNSP2001	REDN2001	S100851000J	UGBC205	UGBC205P			UGBE200AR	REPTS250
UGBE2502	SM A/B -P 3	60	92	UGAS2623	90	UGCR2502	REPNSP2002	REDN2002	S100851000J	UGBC20	UGBC20P			UGBE200AR	REPTS250
UGBE2502	SM A/B -P 5	60	92	UGAS2623	90	UGCR2502	REPNSP2002	REDN2002	S100851000J	UGBC205	UGBC205P			UGBE200AR	REPTS250
UGBE2503	SM A/B -P 3	80	112	UGAS2623	110	UGCR2503	REPNSP2003	REDN2003	S101051000J	UGBC20	UGBC20P			UGBE200AR	REPTS250
UGBE2503	SM A/B -P 5	80	112	UGAS2623	110	UGCR2503	REPNSP2003	REDN2003	S101051000J	UGBC205	UGBC205P			UGBE200AR	REPTS250
UGBE2504	SM A/B -P 5	100	132	UGAS2623	130	UGCR2504	REPNSP2004	REDN2004	S101051000J	UGBC205	UGBC205P			UGBE200AR	REPTS250
UGBE2504	SM A/B -P 3	100	132	UGAS2623	130	UGCR2504	REPNSP2004	REDN2004	S101051000J	UGBC20	UGBC20P			UGBE200AR	REPTS250

- 1 = Corpo ugello
- 2/A = Resistenza spiralata
- 2/B = Resistenza in fusione
- 3 = Boccola
- 3/P = Boccola con prolungamento lavorabile
- 5 = Anello in titanio
- 6 = Anello di centraggio
- 7 = O-RING

ØC = Standard: 4 - A richiesta: 5  
 Ød = standard: 1,0 - A richiesta: 0,8 ÷ 2,0  
 P = standard: 10 - A richiesta: 0,5 ÷ 9,9  
 T = Termocoppia tipo J

UGBC20-/P



UGBC205-/P

