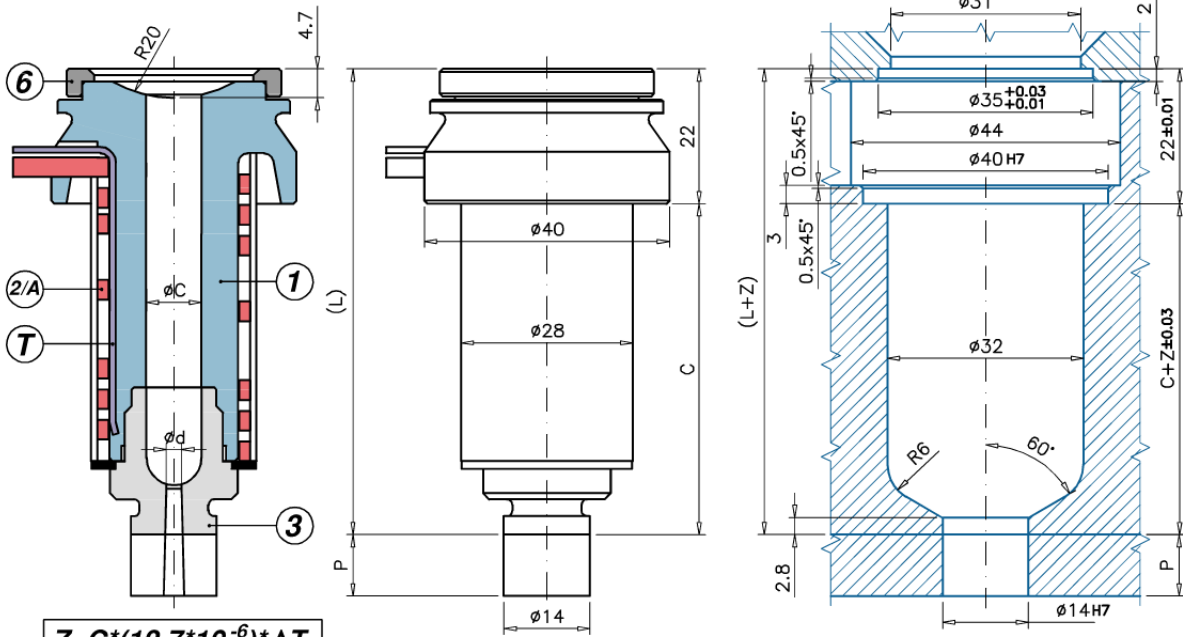
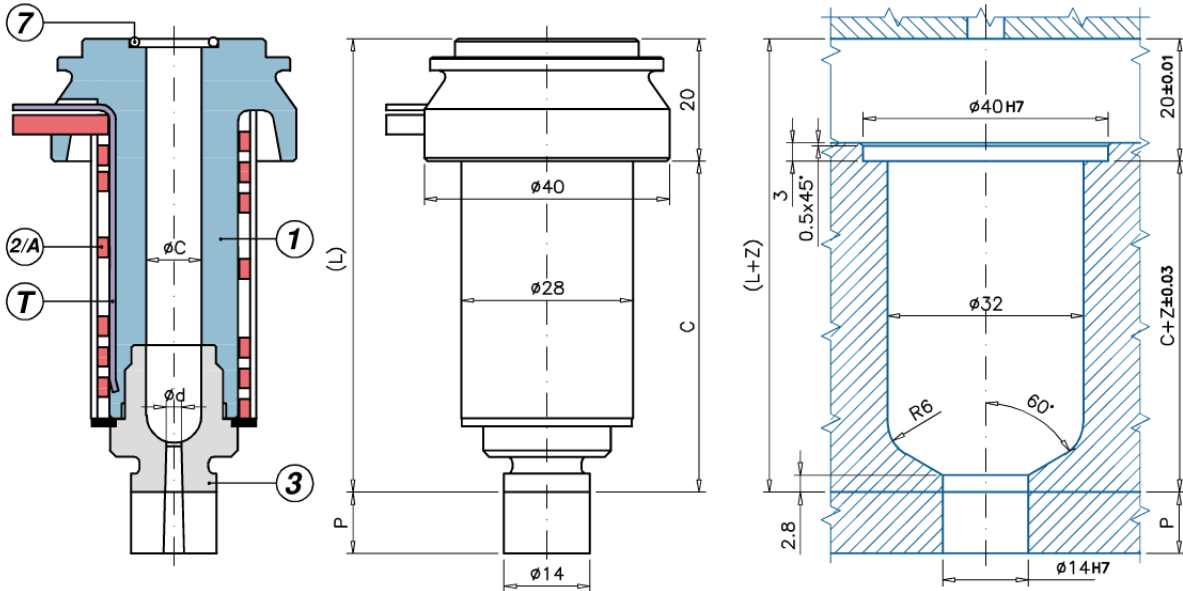


S Applicazione Impronta Singola



$$Z=C*(12.7*10^{-6})*\Delta T$$



M Applicazione impronta multipla

Ugello	C	L	S	L	M	1	A	B	T	3	-P	0/1	5	8
			6		7		2/A	2/B		3/P	4/0	4/1		
UGBE4001	SM A -/P 3	54	76	UGAS3530	74	UGACOR11	UGCR4001	REPNSP4001	S150851000J	UGBC40	UGBC40P			
UGBE4001	S/M A -/P 5	54	76	UGAS3530	74	UGACOR11	UGCR4001	REPNSP4001	S150851000J	UGBC405	UGBC405P			
UGBE4002	S/M A -/P 3	84	106	UGAS3530	104	UGACOR11	UGCR4002	REPNSP4002	S151051000J	UGBC40	UGBC40P			
UGBE4002	S/M A -/P 5	84	106	UGAS3530	104	UGACOR11	UGCR4002	REPNSP4002	S151051000J	UGBC405	UGBC405P			
UGBE4003	S/M A -/P 3	114	136	UGAS3530	134	UGACOR11	UGCR4003	REPNSP4003	S151051000J	UGBC40	UGBC40P			
UGBE4003	S/M A -/P 5	114	136	UGAS3530	134	UGACOR11	UGCR4003	REPNSP4003	S151051000J	UGBC405	UGBC405P			
UGBE4004	S/M A -/P 3	164	186	UGAS3530	184	UGACOR11	UGCR4004	REPNSP4004	S151551000J	UGBC40	UGBC40P			
UGBE4004	S/M A -/P 5	164	186	UGAS3530	184	UGACOR11	UGCR4004	REPNSP4004	S151551000J	UGBC405	UGBC405P			
UGBE4005	S/M A -/P 3	214	236	UGAS3530	234	UGACOR11	UGCR4005	REPNSP4005	S151551000J	UGBC40	UGBC40P			
UGBE4005	S/M A -/P 5	214	236	UGAS3530	234	UGACOR11	UGCR4005	REPNSP4005	S151551000J	UGBC405	UGBC405P			

- 1 = Corpo ugello
- 2/A = Resistenza spirata
- 2/B = Resistenza in fusione
- 3 = Boccola
- 3/P = Boccola con prolungamento lavorabile
- 6 = Anello di centraggio
- 5 = Anello in titanio
- 7 = O-RING
- 8 = Resistenza spirata con TCJ

$\varnothing C$ = Standard: 9 - A richiesta/On request: 10
 $\varnothing d$ = standard: 2,0 - A richiesta: 0,8 + 4,0
 P = standard: 25 - A richiesta: 0,5 + 24,9
 T = Termocoppia tipo J

