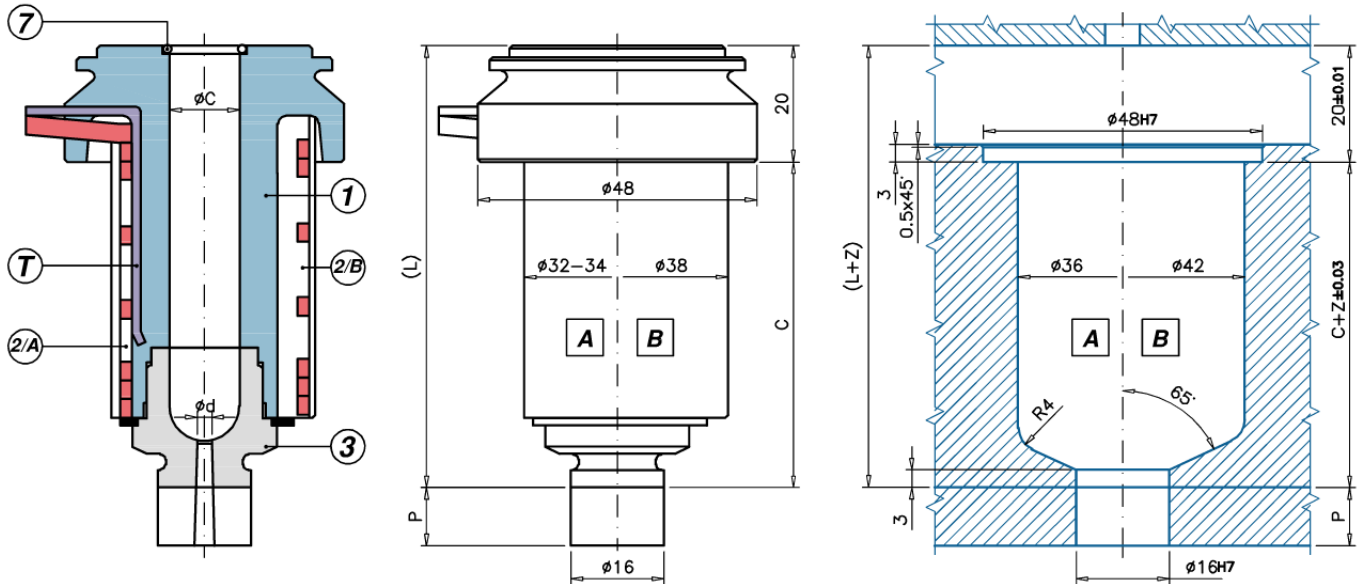
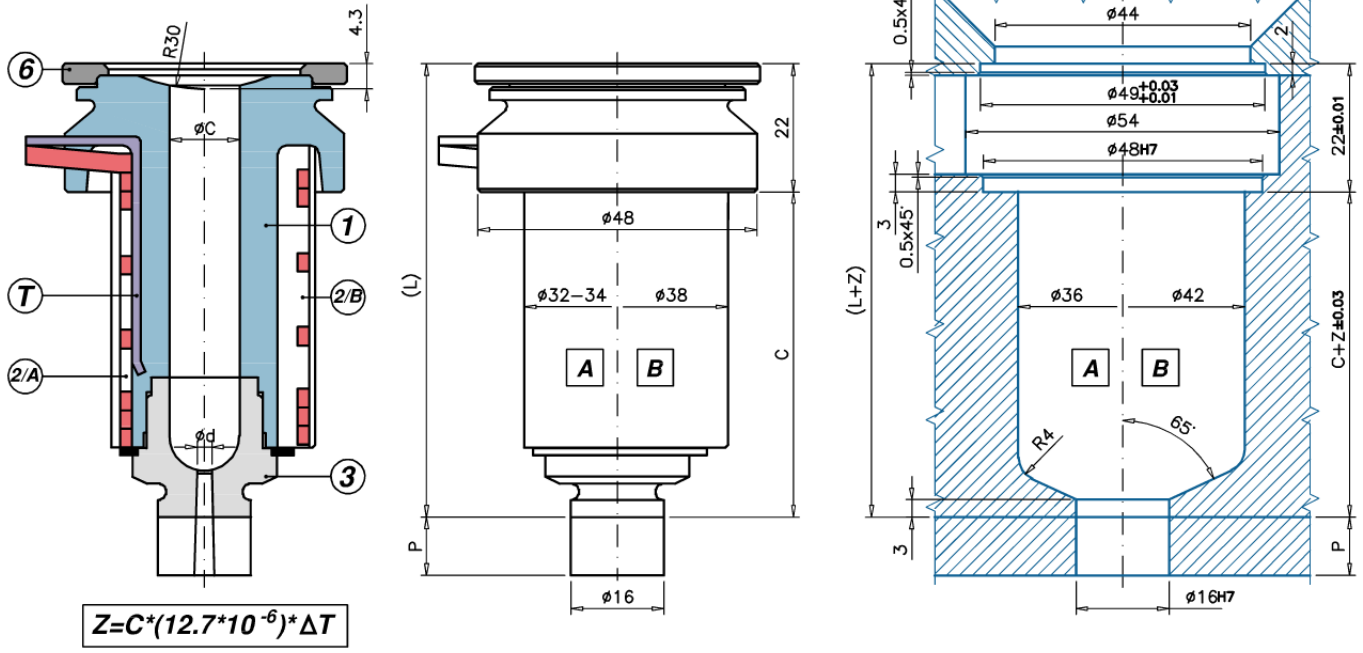


S Applicazione impronta singola



M Applicazione impronta multipla

Ugello	C	S		M		1	A		B	3	-P	3/P	4/0	4/1	5	8
		L	6	L	7		2/A	T								
UGBE5001	S/M A/B -P 3	54	76	UGAS4937	74	UGACOR14	UGCR5001	REPNSP5001	S150851000J	REBU4001	UGBC50	UGBC50P				
UGBE5001	S/M A/B -P 5	54	76	UGAS4937	74	UGACOR14	UGCR5001	REPNSP5001	S150851000J	REBU4001	UGBC50	UGBC50P				
UGBE5002	S/M A/B -P 3	84	106	UGAS4937	104	UGACOR14	UGCR5002	REPNSP5002	S151051000J	REBU4002	UGBC50	UGBC50P				
UGBE5002	S/M A/B -P 5	84	106	UGAS4937	104	UGACOR14	UGCR5002	REPNSP5002	S151051000J	REBU4002	UGBC50	UGBC50P				
UGBE5003	S/M A/B -P 3	114	136	UGAS4937	134	UGACOR14	UGCR5003	REPNSP5003	S151051000J	REBU4003	UGBC50	UGBC50P				
UGBE5003	S/M A/B -P 5	114	136	UGAS4937	134	UGACOR14	UGCR5003	REPNSP5003	S151051000J	REBU4003	UGBC50	UGBC50P				
UGBE5004	S/M A/B -P 3	164	186	UGAS4937	184	UGACOR14	UGCR5004	REPNSP5004	S151551000J	REBU4004	UGBC50	UGBC50P				
UGBE5004	S/M A/B -P 5	164	186	UGAS4937	184	UGACOR14	UGCR5004	REPNSP5004	S151551000J	REBU4004	UGBC50	UGBC50P				
UGBE5005	S/M A/B -P 3	214	236	UGAS4937	234	UGACOR14	UGCR5005	REPNSP5005	S151551000J	REBU4005	UGBC50	UGBC50P				
UGBE5005	S/M A/B -P 5	214	236	UGAS4937	234	UGACOR14	UGCR5005	REPNSP5005	S151551000J	REBU4005	UGBC50	UGBC50P				

- 1 = Corpo ugello
- 2/A = Resistenza spiralata
- 2/B = Resistenza in fusione con TCJ
- 3 = Boccola
- 3/P = Boccola con prolungamento
- 5 = Anello in titanio
- 6 = Anello di centraggio
- 7 = O-RING
- 8 = Resistenza spiralata con TCJ

$\varnothing C$ = Standard 12 - A richiesta: 13
 $\varnothing d$ = standard: 2,0 - A richiesta: 0,8 + 6,0
 P = standard: 25 - A richiesta: 0,5 + 24,9
 T = Termocoppia tipo J

