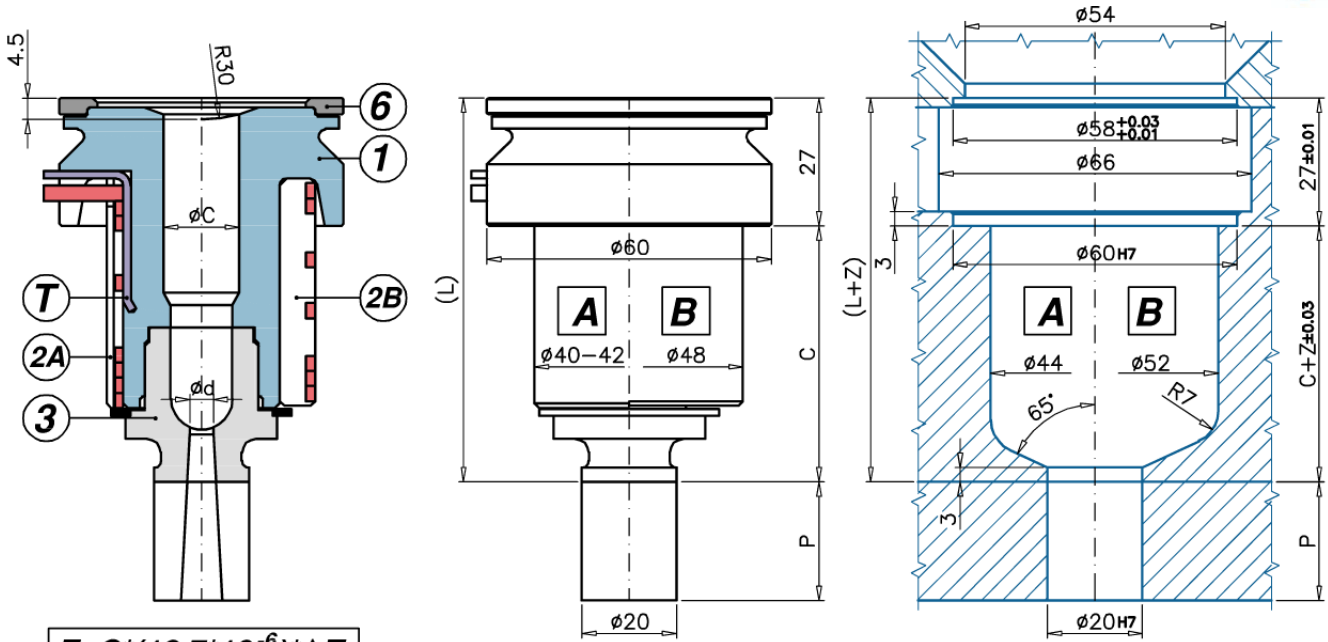
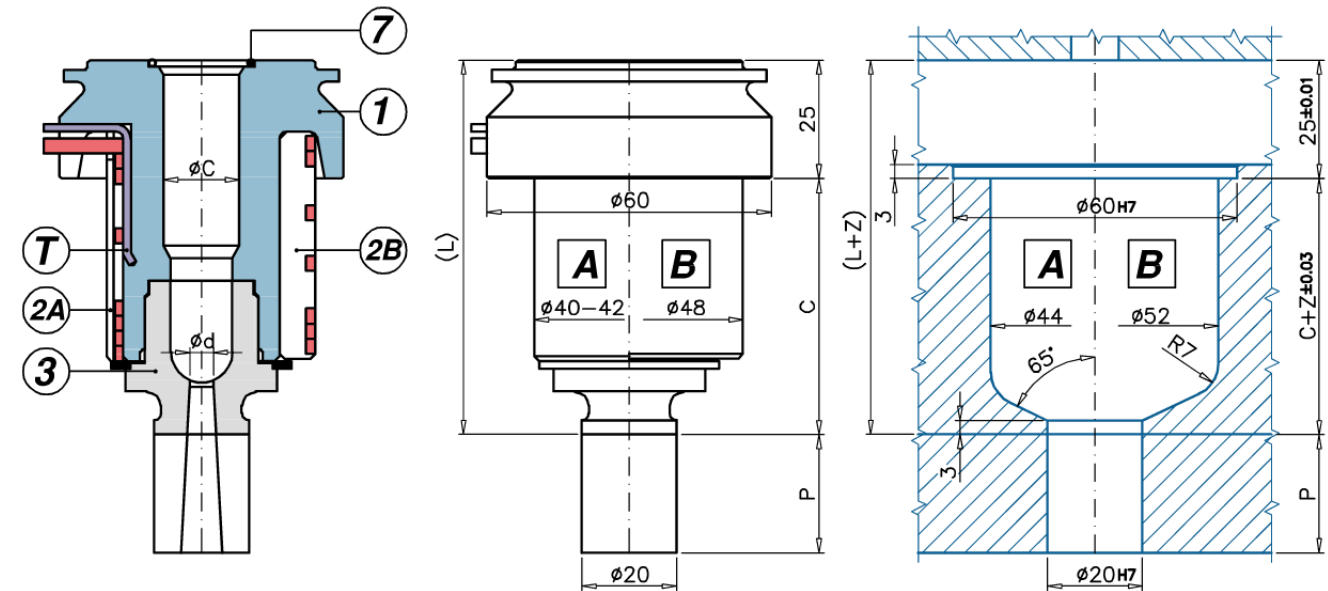


**S** Applicazione Impronta Singola



$$Z = C * (12.7 * 10^{-6}) * \Delta T$$



**M** Applicazione impronta multipla

Ugello	C	S		M		1	A		B		3	-P	0/1		5	8
		L	6	L	7		2/A	T	2/B	4/0			4/1			
UGBE6002	SM A/B -P 3	54	81	UGAS5848	79	UGACOR17	UGCR6002	REPNSP6002	S150851000J	REDL642R	UGBC60	UGBC60P				
UGBE6002	S/M A/B -P 5	54	81	UGAS5848	79	UGACOR17	UGCR6002	REPNSP6002	S150851000J	REDL642R	UGBC605	UGBC605P				
UGBE6003	SM A/B -P 3	74	101	UGAS5848	99	UGACOR17	UGCR6003	REPNSP6003	S151051000J	REDL643R	UGBC60	UGBC60P				
UGBE6003	S/M A/B -P 5	74	101	UGAS5848	99	UGACOR17	UGCR6003	REPNSP6003	S151051000J	REDL643R	UGBC605	UGBC605P				
UGBE6004	SM A/B -P 3	94	121	UGAS5848	119	UGACOR17	UGCR6004	REPNSP6004	S151551000J	REDL644R	UGBC60	UGBC60P				
UGBE6004	S/M A/B -P 5	94	121	UGAS5848	119	UGACOR17	UGCR6004	REPNSP6004	S151551000J	REDL644R	UGBC605	UGBC605P				
UGBE6005	SM A/B -P 3	114	141	UGAS5848	139	UGACOR17	UGCR6005	REPNSP6005	S151551000J	REDL645R	UGBC60	UGBC60P				
UGBE6005	S/M A/B -P 5	114	141	UGAS5848	139	UGACOR17	UGCR6005	REPNSP6005	S151551000J	REDL645R	UGBC605	UGBC605P				
UGBE6007	SM A/B -P 3	164	191	UGAS5848	189	UGACOR17	UGCR6007	REPNSP6007	S152051000J	REDL647R	UGBC60	UGBC60P				
UGBE6007	S/M A/B -P 5	164	191	UGAS5848	189	UGACOR17	UGCR6007	REPNSP6007	S152051000J	REDL647R	UGBC605	UGBC605P				

- 1 = Corpo ugello
- 2/A = Resistenza spiralata
- 2/B = Resistenza in fusione con TCJ
- 3 = Boccola
- 3/P = Boccola con prolungamento
- 5 = Anello in titanio
- 6 = Anello di centraggio
- 7 = O-RING
- 8 = Resistenza spiralata con TCJ

$\varnothing C$  = Standard 16 - A richiesta: 17  
 $\varnothing d$  = standard: 3,0 - A richiesta: 1,0 ÷ 6,5  
 P = standard: 25 - A richiesta: 0,5 ÷ 24,9  
 T = Termocoppia tipo J

