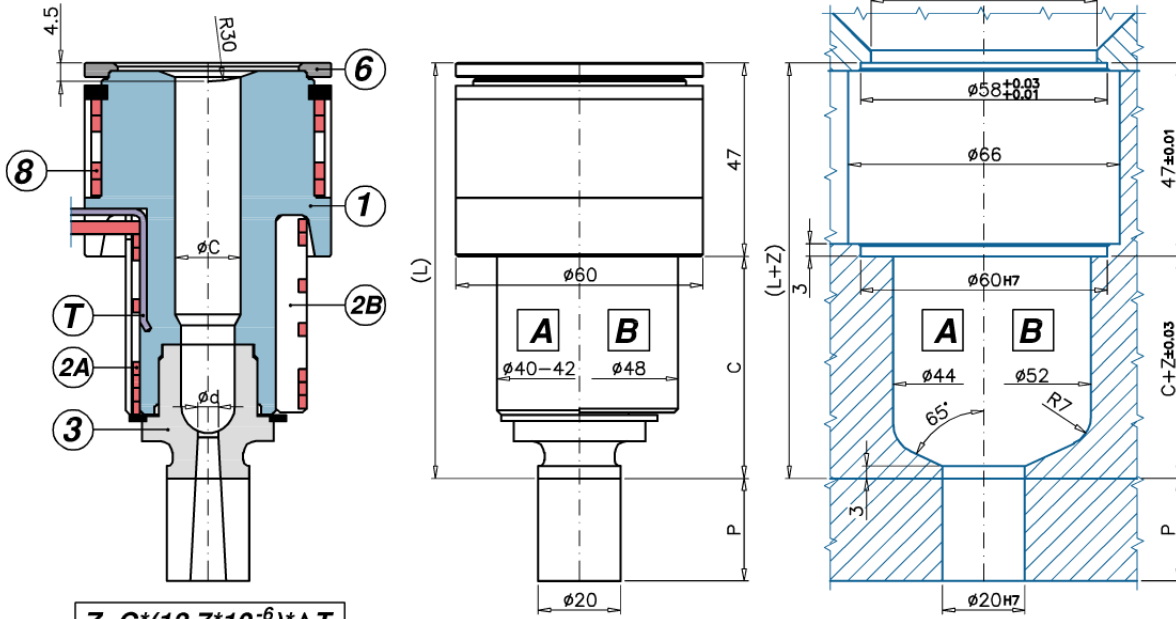
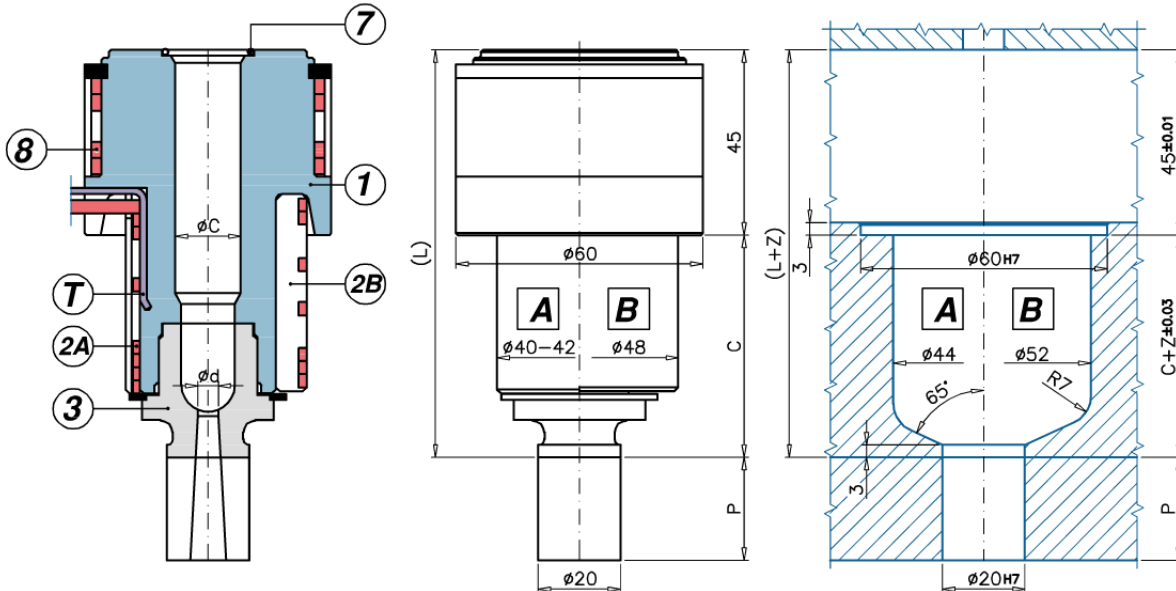


**S** Applicazione Impronta Singola



$$Z = C \cdot (12.7 \cdot 10^{-6}) \cdot \Delta T$$



**M** Applicazione impronta multipla

Ugello	C	S		M		1	A		B	3	-P		0/1		5	8
		L	6	L	7		2/A	T			2/B	3/P	4/0	4/1		
UGBE6501	SM A/B -P 3	34	81	UGAS5848	79	UGACOR17	UGCR6501	REPNSP6001	S150851000J	REDL641R	UGBC60	UGBC60P				REPTS650
UGBE6501	S/M A/B -P 5	34	81	UGAS5848	79	UGACOR17	UGCR6501	REPNSP6001	S150851000J	REDL641R	UGBC605	UGBC605P				REPTS650
UGBE6502	SM A/B -P 3	54	101	UGAS5848	99	UGACOR17	UGCR6502	REPNSP6002	S150851000J	REDL642R	UGBC60	UGBC60P				REPTS650
UGBE6502	S/M A/B -P 5	54	101	UGAS5848	99	UGACOR17	UGCR6502	REPNSP6002	S150851000J	REDL642R	UGBC605	UGBC605P				REPTS650
UGBE6503	SM A/B -P 3	74	121	UGAS5848	119	UGACOR17	UGCR6503	REPNSP6003	S151051000J	REDL643R	UGBC60	UGBC60P				REPTS650
UGBE6503	S/M A/B -P 5	74	121	UGAS5848	119	UGACOR17	UGCR6503	REPNSP6003	S151051000J	REDL643R	UGBC605	UGBC605P				REPTS650
UGBE6504	SM A/B -P 3	94	141	UGAS5848	139	UGACOR17	UGCR6504	REPNSP6004	S151551000J	REDL644R	UGBC60	UGBC60P				REPTS650
UGBE6504	S/M A/B -P 5	94	141	UGAS5848	139	UGACOR17	UGCR6504	REPNSP6004	S151551000J	REDL644R	UGBC605	UGBC605P				REPTS650
UGBE6505	SM A/B -P 3	114	161	UGAS5848	159	UGACOR17	UGCR6505	REPNSP6005	S151551000J	REDL645R	UGBC60	UGBC60P				REPTS650
UGBE6505	S/M A/B -P 5	114	161	UGAS5848	159	UGACOR17	UGCR6505	REPNSP6005	S151551000J	REDL645R	UGBC605	UGBC605P				REPTS650
UGBE6507	SM A/B -P 3	164	211	UGAS5848	209	UGACOR17	UGCR6507	REPNSP6007	S152051000J	REDL647R	UGBC60	UGBC60P				REPTS650
UGBE6507	S/M A/B -P 5	164	211	UGAS5848	209	UGACOR17	UGCR6507	REPNSP6007	S152051000J	REDL647R	UGBC605	UGBC605P				REPTS650

- 1 = Corpo ugello
- 2/A = Resistenza spiralata
- 2/B = Resistenza in fusione con TCJ
- 3 = Boccola
- 3/P = Boccola con prolungamento
- 5 = Anello in titanio
- 6 = Anello di centraggio
- 7 = O-RING
- 8 = Resistenza spiralata con TCJ

$\phi C$  = Standard 16 - A richiesta: 17  
 $\phi d$  = standard: 3,0 - A richiesta: 1,0 ÷ 6,5  
 P = standard: 25 - A richiesta: 0,5 ÷ 24,9  
 T = Termocoppia tipo J

