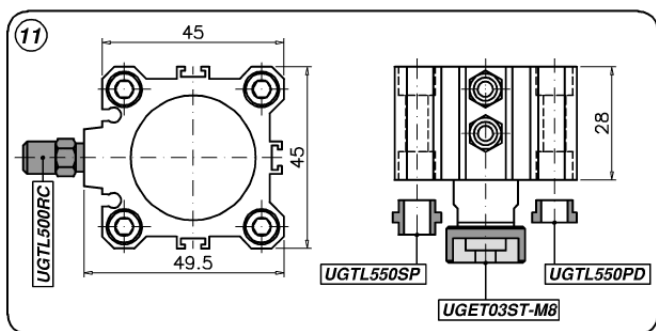
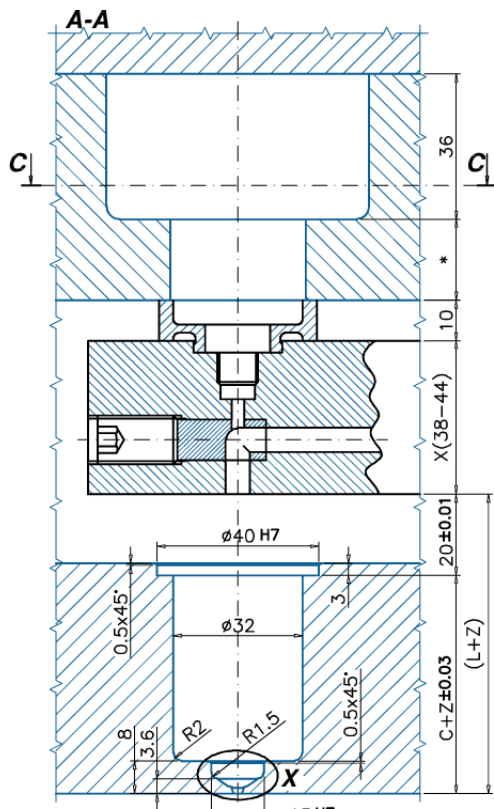
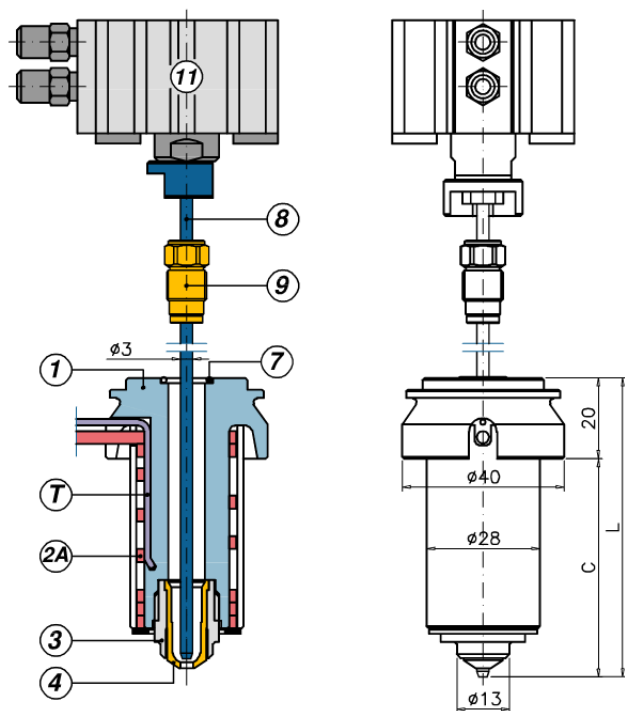
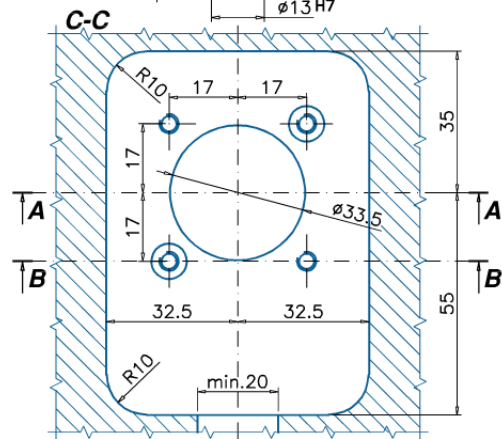
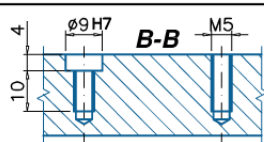


Boccola aperta



$$Z = C * (12.7 * 10^{-6}) * \Delta T$$

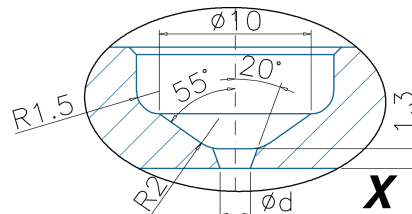


M Solo applicazione impronta multipla

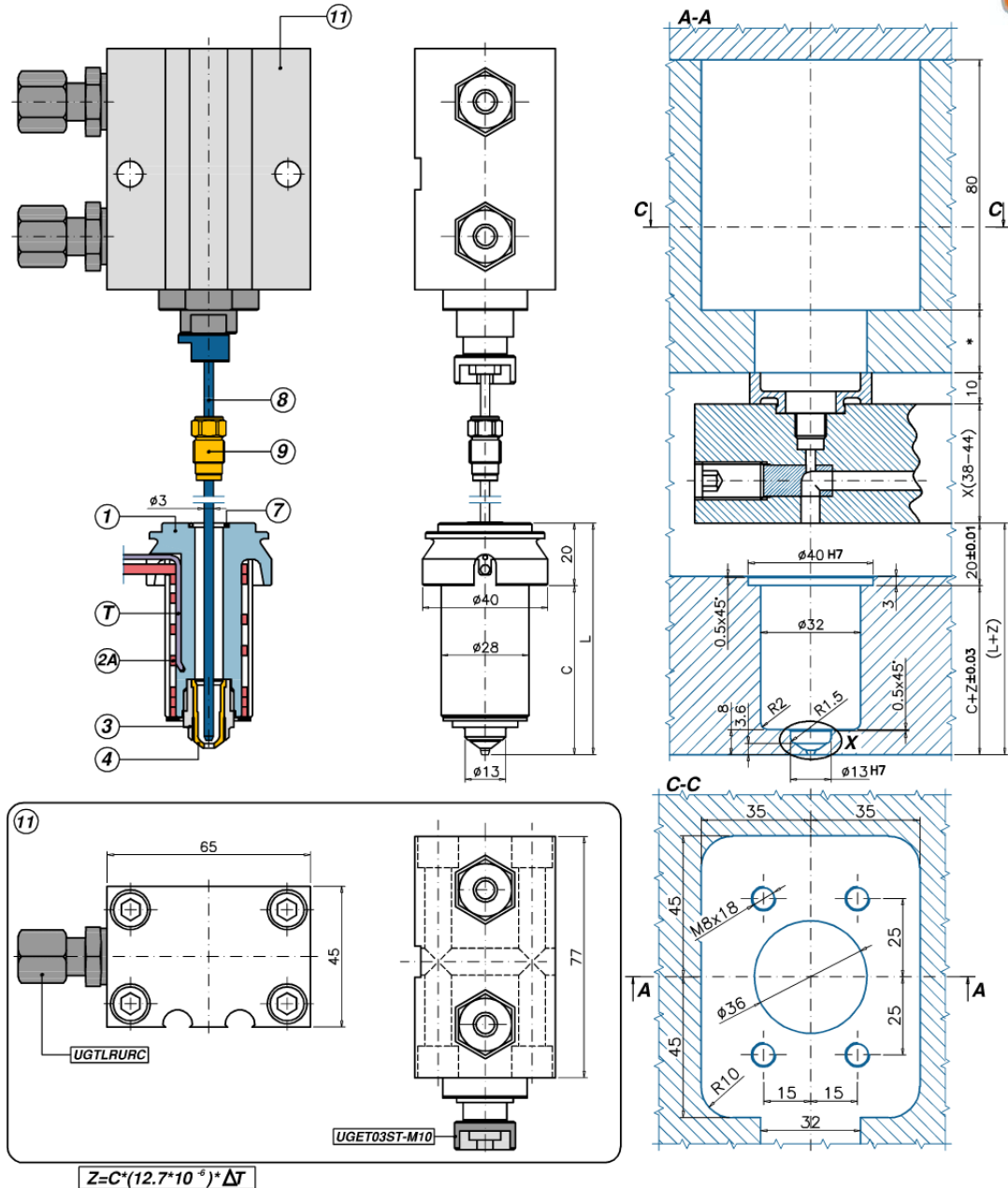
Ugello	A	-	0/1	M		1	A	B	T	3	-J/P	0/1		8	9	11
				L	C							7	4/0			
UGET4001	A	-	0/1	74	54	UGACOR11	UGCR4001	REPNSP4001	S150851000J	UGBC440		UGPU45TZ	UGPU45CU	UGET03T01	UGET03GF	UGTL550K
UGET4002	A	-	0/1	104	84	UGACOR11	UGCR4002	REPNSP4002	S151051000J	UGBC440		UGPU45TZ	UGPU45CU	UGET03T02	UGET03GF	UGTL550K
UGET4003	A	-	0/1	134	114	UGACOR11	UGCR4003	REPNSP4003	S151551000J	UGBC440		UGPU45TZ	UGPU45CU	UGET03T03	UGET03GF	UGTL550K
UGET4004	A	-	0/1	184	164	UGACOR11	UGCR4004	REPNSP4004	S152051000J	UGBC440		UGPU45TZ	UGPU45CU	UGET03T04	UGET03GF	UGTL550K
UGET4005	A	-	0/1	234	214	UGACOR11	UGCR4505	REPNSP4005	S152551000J	UGBC440		UGPU45TZ	UGPU45CU	UGET03T05	UGET03GF	UGTL550K

- 1 = Corpo ugello
- 2/A = Resistenza spiralata
- 2/B = Resistenza in fusione
- T = Termocoppia tipo J
- 3 = Boccola aperta
- 4 = Puntale (0= T2M 1= Cu-Be)
- 7 = O-RING
- 8 = Otturatore
- 9 = Guarnizione otturatore
- 11 = Kit pistone pneumatico UGTL550K

ØC = Standard : 9 - A richiesta: 10
 Ød = standard: 1,5 - A richiesta: 1,0 ± 2,0
 * = Dimensione da definire



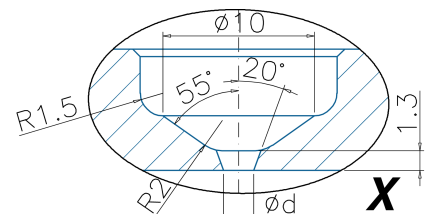
M Solo applicazione impronta multipla



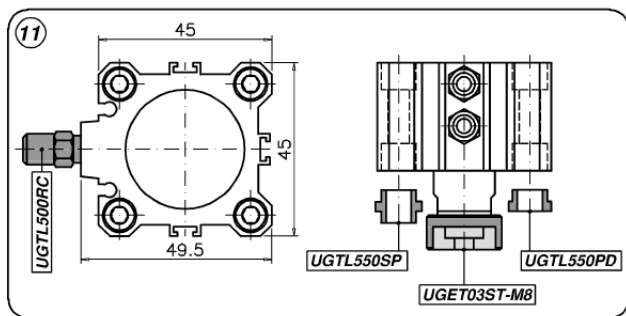
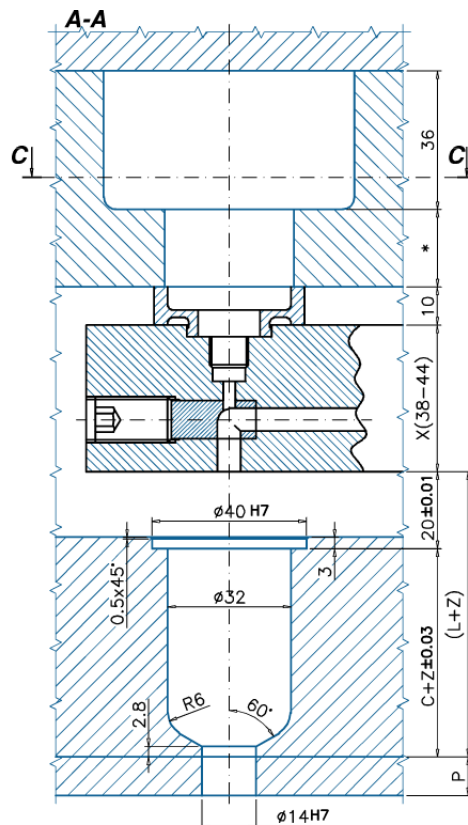
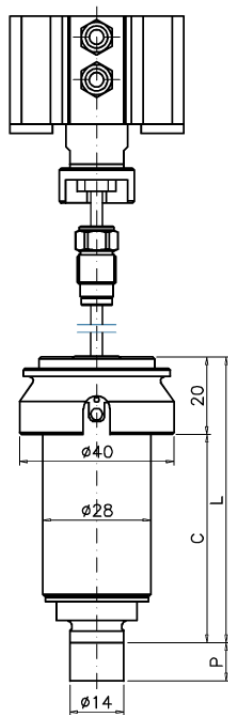
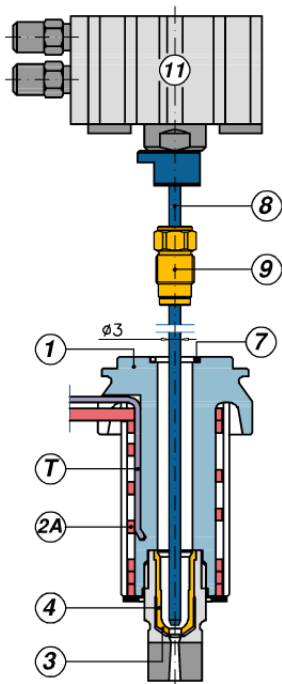
Ugello	L	C	M		1	A 2/A	B 2/B	T	-P		0/1		8	9	11	
			7	7					3	3/P	4/0	4/1				
UGET4011	A	-	0/1	74	54	UGACOR11	UGCR4001	REPNSP4001				UGPU45TZ	UGPU45CU	UGET03T01	UGET03GF	UGTLRUPIK
UGET4012	A	-	0/1	104	84	UGACOR11	UGCR4002	REPNSP4002				UGPU45TZ	UGPU45CU	UGET03T02	UGET03GF	UGTLRUPIK
UGET4013	A	-	0/1	134	114	UGACOR11	UGCR4003	REPNSP4003				UGPU45TZ	UGPU45CU	UGET03T03	UGET03GF	UGTLRUPIK
UGET4014	A	-	0/1	184	164	UGACOR11	UGCR4004	REPNSP4004				UGPU45TZ	UGPU45CU	UGET03T04	UGET03GF	UGTLRUPIK
UGET4015	A	-	0/1	234	214	UGACOR11	UGCR4505	REPNSP4005				UGPU45TZ	UGPU45CU	UGET03T05	UGET03GF	UGTLRUPIK

- 1 = Corpo ugello
- 2/A = Resistenza spiralata
- 2/B = Resistenza in fusione
- T = Termocoppia tipo J
- 3 = Boccola aperta
- 4 = Puntale (0= TZM 1= Cu-Be)
- 7 = O-RING
- 8 = Otturatore
- 9 = Guarnizione otturatore
- 11 = Kit pistone idraulico UGTLRUPIK3

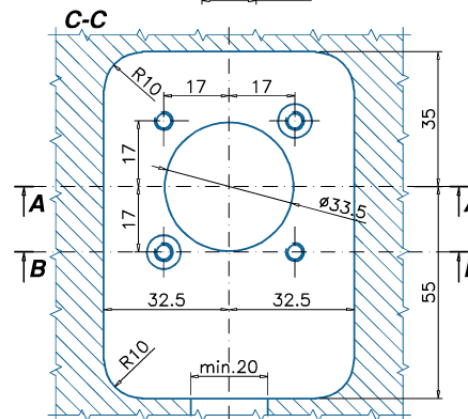
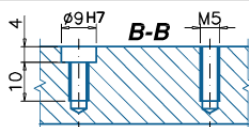
ØC = Standard : 9 - A richiesta: 10
 Ød = standard: 1,5 - A richiesta: 1,0 ±2,0
 * = Dimensione da definire



Boccola chiusa



$$Z = C * (12.7 * 10^{-6}) * \Delta T$$



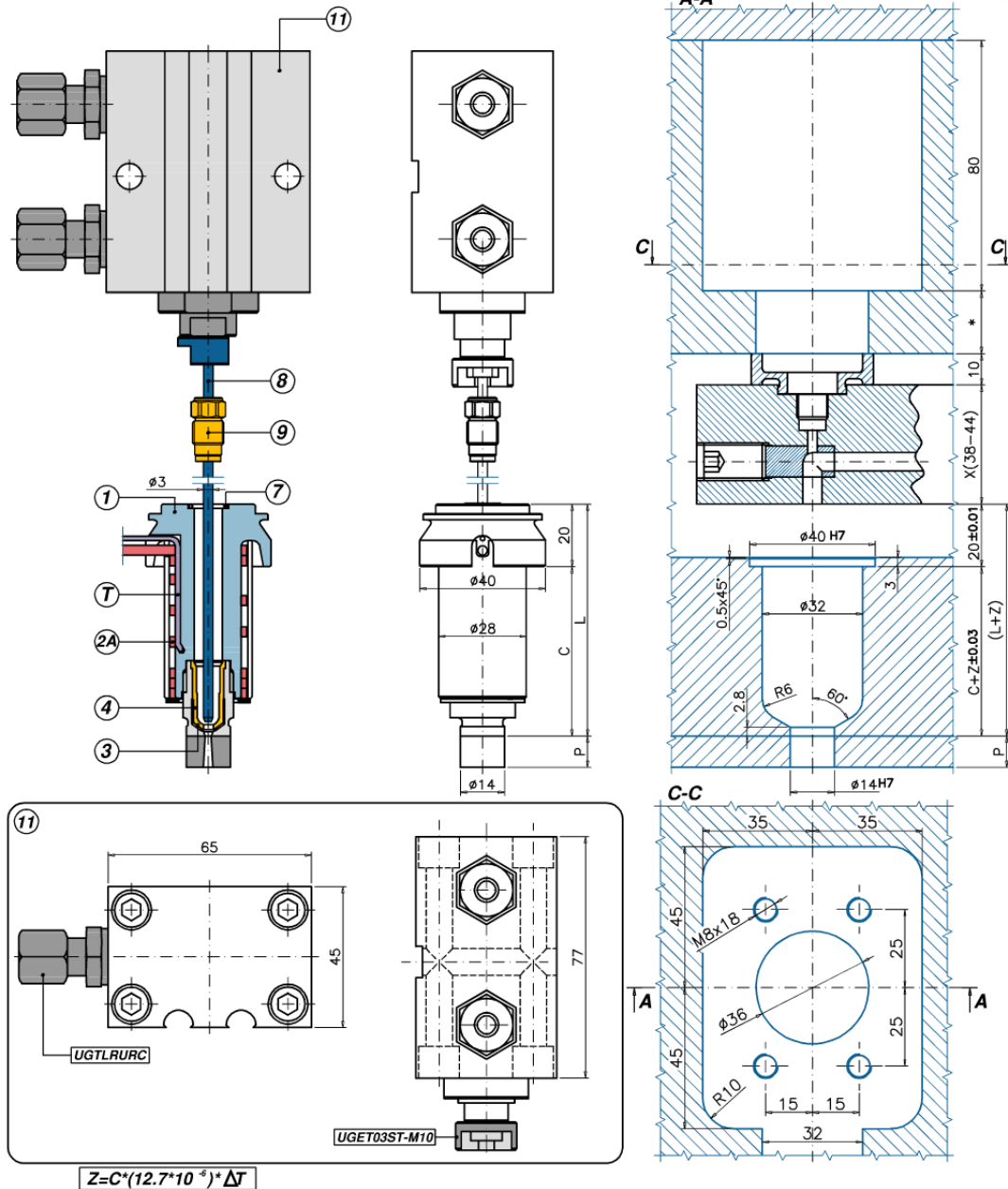
M Solo impronta multipla

Ugello	A	-P	0/1	M		1	A	B	T	3	-P	3/P	0/1		8	9	11
				L	C								4/0	4/1			
UGET4101	A	-P	0/1	74	54	UGACOR11	UGCR4001	REPNSP4001		UGBC45	UGBC45P	UGPU45TZ	UGPU45CU	UGET03T01	UGET03GF	UGTL550K	
UGET4102	A	-P	0/1	104	84	UGACOR11	UGCR4002	REPNSP4002		UGBC45	UGBC45P	UGPU45TZ	UGPU45CU	UGET03T02	UGET03GF	UGTL550K	
UGET4103	A	-P	0/1	134	114	UGACOR11	UGCR4003	REPNSP4003		UGBC45	UGBC45P	UGPU45TZ	UGPU45CU	UGET03T03	UGET03GF	UGTL550K	
UGET4104	A	-P	0/1	184	164	UGACOR11	UGCR4004	REPNSP4004		UGBC45	UGBC45P	UGPU45TZ	UGPU45CU	UGET03T04	UGET03GF	UGTL550K	
UGET4105	A	-P	0/1	234	214	UGACOR11	UGCR4505	REPNSP4005		UGBC45	UGBC45P	UGPU45TZ	UGPU45CU	UGET03T05	UGET03GF	UGTL550K	

- 1 = Corpo ugello
- 2/A = Resistenza spiralata
- 2/B = Resistenza in fusione
- T = Termocoppia tipo J
- 3 = Boccola chiusa
- 3/P = Boccola con prolungamento lavorabile
- 4 = Puntale (0 = TZM 1 = Cu-Be)
- 7 = O-RING
- 8 = Otturatore
- 9 = Guarnizione otturatore

- 11 = Kit pistone pneumatico
- ØC = Standard : 9 - A richiesta: 10
- Ød = standard: 1,5 - A richiesta: 1,0 +3,0
- P = standard: 25 - A richiesta: 0,5 + 24.
- * = Dimensione da definire

Boccola chiusa



M Solo impronta multipla

Ugello	A	-P	0/1	M		1	A 2/A	B 2/B	T	3	-P 3/P	0/1		8	9	11
				L	C							4/0	4/1			
UGET4111	A	-P	0/1	74	54	UGACOR11	UGCR4001	REPNSP4001	S150851000J	UGBC45	UGBC45P	UGPU45TZ	UGPU45CU	UGET03T01	UGET03GF	UGTLRUPIK
UGET4112	A	-P	0/1	104	84	UGACOR11	UGCR4002	REPNSP4002	S151051000J	UGBC45	UGBC45P	UGPU45TZ	UGPU45CU	UGET03T02	UGET03GF	UGTLRUPIK
UGET4113	A	-P	0/1	134	114	UGACOR11	UGCR4003	REPNSP4003	S151551000J	UGBC45	UGBC45P	UGPU45TZ	UGPU45CU	UGET03T03	UGET03GF	UGTLRUPIK
UGET4114	A	-P	0/1	184	164	UGACOR11	UGCR4004	REPNSP4004	S152051000J	UGBC45	UGBC45P	UGPU45TZ	UGPU45CU	UGET03T04	UGET03GF	UGTLRUPIK
UGET4115	A	-P	0/1	234	214	UGACOR11	UGCR4505	REPNSP4005	S152551000J	UGBC45	UGBC45P	UGPU45TZ	UGPU45CU	UGET03T05	UGET03GF	UGTLRUPIK

- 1 = Corpo ugello
- 2/A = Resistenza spiralata
- 2/B = Resistenza in fusione
- T = Termocoppia tipo J
- 3 = Boccola chiusa
- 3/P = Boccola con prolungamento lavorabile
- 4 = Puntale (0= TZM 1= Cu-Be)
- 7 = O-RING
- 8 = Otturatore
- 9 = Guarnizione otturatore

- 11 = Kit pistone idraulico UGTLRUPIK3
- ØC = Standard : 9 - A richiesta: 10
- Ød = standard: 1,5 - A richiesta: 1,0 +3,0
- P = standard: 25 - A richiesta: 0,5 ÷ 24.
- * = Dimensione da definire