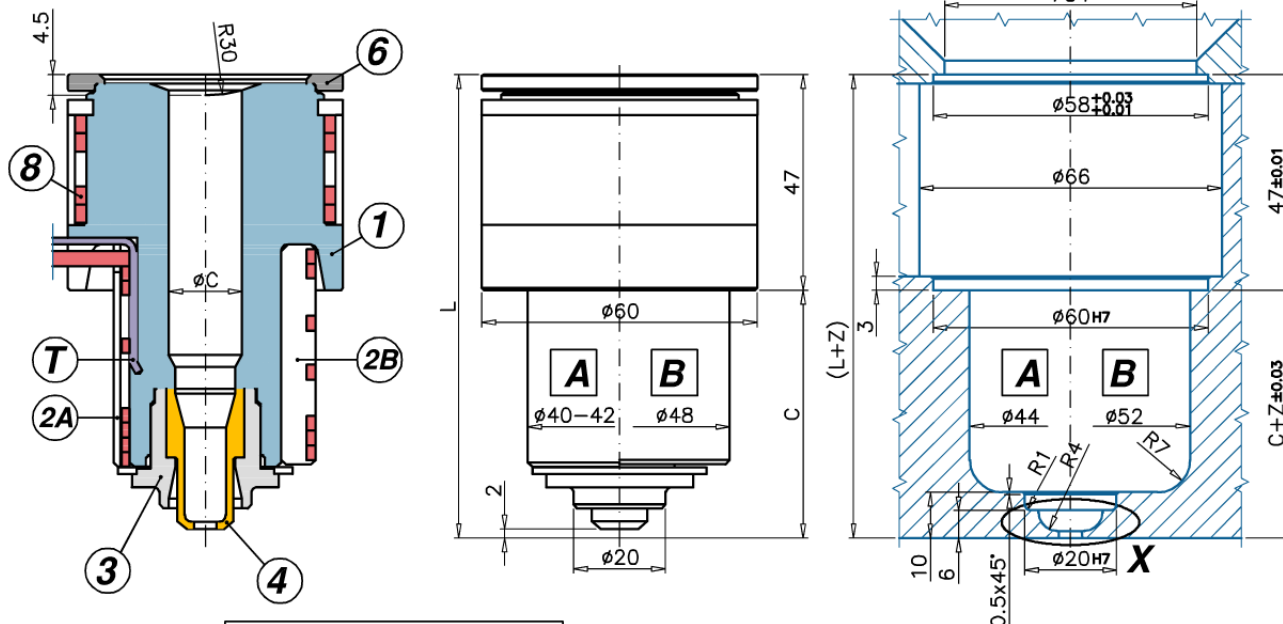
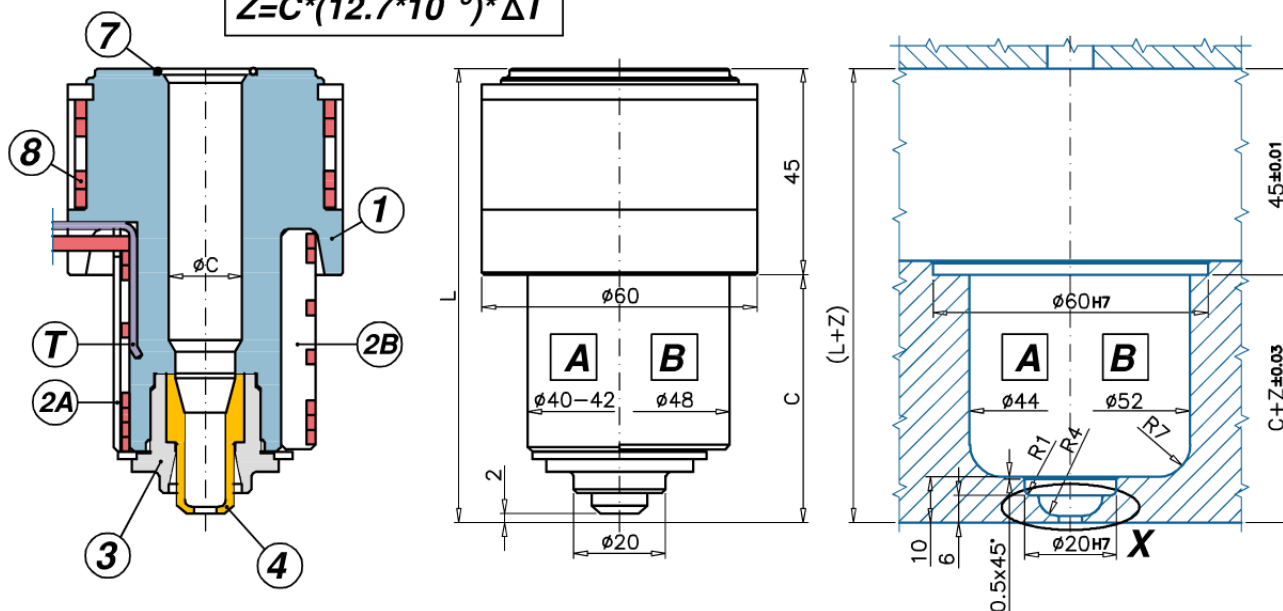


**S** Applicazione Impronta Singola



$$Z = C \cdot (12.7 \cdot 10^{-6}) \cdot \Delta T$$

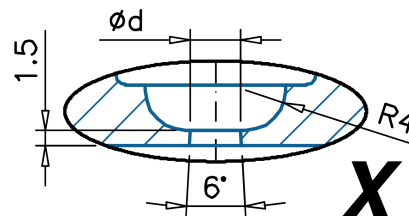


**M** Applicazione impronta multipla

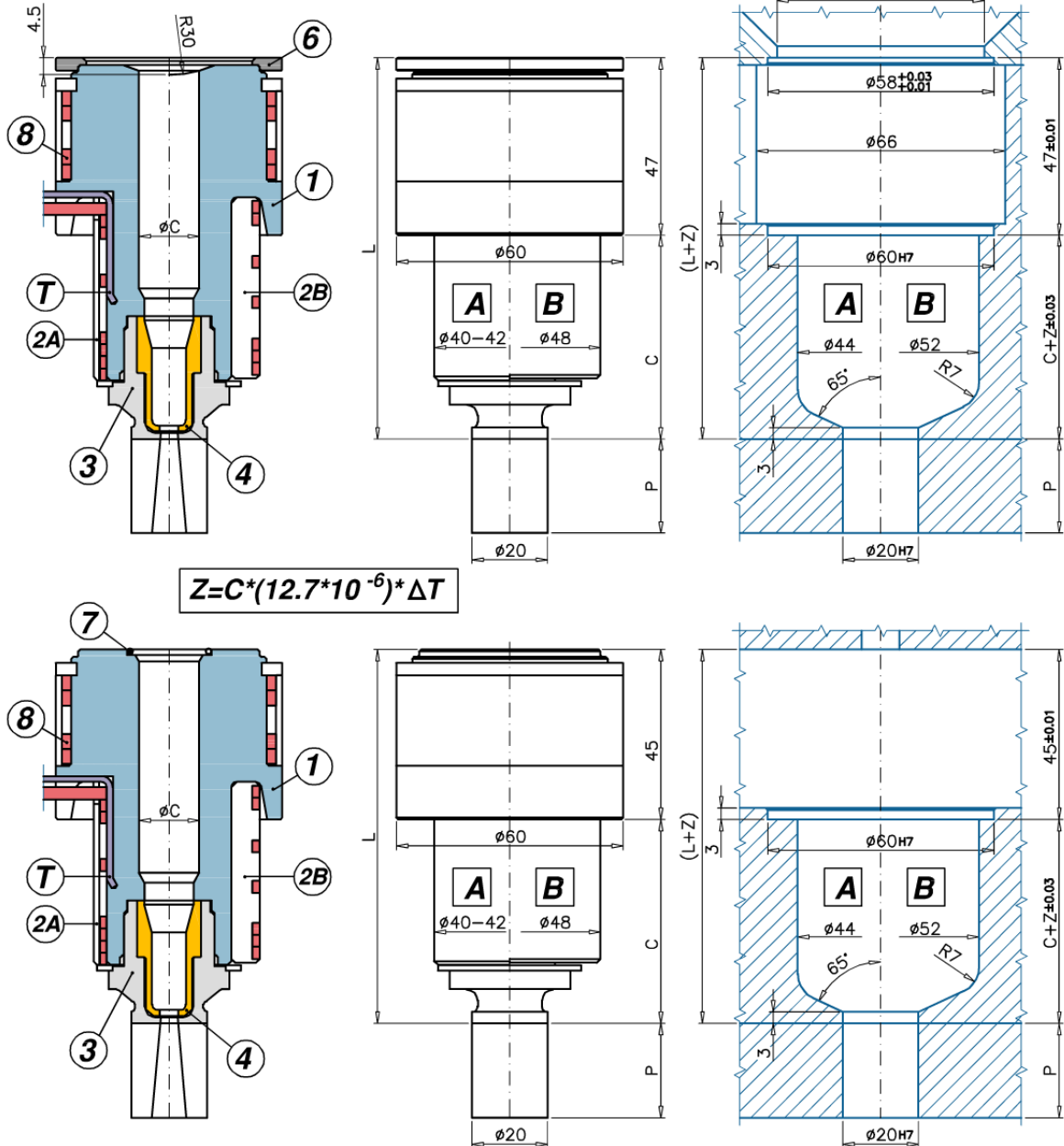
Ugello	C	S		M		1	A		B	3	-P		0/1		5	8
		L	6	L	7		2/A	T			2/B	3/P	4/0	4/1		
UGER6501	SM A/B - 0/1	34	81	UGAS5848	79	UGACOR17	UGCR6501	REPNSP6001	S150851000J	REDL641R	UGBC610		UGPU63TZ	UGPU63CU		REPTS650
UGER6502	SM A/B - 0/1	54	101	UGAS5848	99	UGACOR17	UGCR6502	REPNSP6002	S150851000J	REDL642R	UGBC610		UGPU63TZ	UGPU63CU		REPTS650
UGER6503	SM A/B - 0/1	74	121	UGAS5848	119	UGACOR17	UGCR6503	REPNSP6003	S151051000J	REDL643R	UGBC610		UGPU63TZ	UGPU63CU		REPTS650
UGER6504	SM A/B - 0/1	94	141	UGAS5848	139	UGACOR17	UGCR6504	REPNSP6004	S151551000J	REDL644R	UGBC610		UGPU63TZ	UGPU63CU		REPTS650
UGER6505	SM A/B - 0/1	114	161	UGAS5848	159	UGACOR17	UGCR6505	REPNSP6005	S151551000J	REDL645R	UGBC610		UGPU63TZ	UGPU63CU		REPTS650
UGER6507	SM A/B - 0/1	164	211	UGAS5848	209	UGACOR17	UGCR6507	REPNSP6007	S152051000J	REDL647R	UGBC610		UGPU63TZ	UGPU63CU		REPTS650

- 1 = Corpo ugello
- 2/A = Resistenza spiralata
- 2/B = Resistenza in fusione con TCJ
- T = Termocoppia tipo J
- 3 = Boccola
- 4 = Puntale (0= TZM 1= Cu-Be)
- 6 = Anello di centraggio
- 7 = O-RING
- 8 = Resistenza spiralata con TCJ

ØC = Standard : 16 - A richiesta: 17  
 Ød = standard: 3,0 +3,1 - A richiesta: 2,0 +4,5



## S Applicazione Impronta Singola



## M Applicazione impronta multipla

Ugello	C	S		M		1	A		B		-P		0/1		5	8
		L	6	L	7		2/A	T	2/B	3	3/P	4/0	4/1			
UGER6601	S/M A/B -P 0/1	34	81	UGAS5848	79	UGACOR17	UGCR6501	REPNSP6001	S150851000J	REDL641R	UGBC63	UGBC63P	UGPU63TZ	UGPU63CU		REPTS650
UGER6602	S/M A/B -P 0/1	54	101	UGAS5848	99	UGACOR17	UGCR6502	REPNSP6002	S150851000J	REDL642R	UGBC63	UGBC63P	UGPU63TZ	UGPU63CU		REPTS650
UGER6603	S/M A/B -P 0/1	74	121	UGAS5848	119	UGACOR17	UGCR6503	REPNSP6003	S151051000J	REDL643R	UGBC63	UGBC63P	UGPU63TZ	UGPU63CU		REPTS650
UGER6604	S/M A/B -P 0/1	94	141	UGAS5848	139	UGACOR17	UGCR6504	REPNSP6004	S151551000J	REDL644R	UGBC63	UGBC63P	UGPU63TZ	UGPU63CU		REPTS650
UGER6605	S/M A/B -P 0/1	114	161	UGAS5848	159	UGACOR17	UGCR6505	REPNSP6005	S151551000J	REDL645R	UGBC63	UGBC63P	UGPU63TZ	UGPU63CU		REPTS650
UGER6607	S/M A/B -P 0/1	164	211	UGAS5848	209	UGACOR17	UGCR6507	REPNSP6007	S152051000J	REDL647R	UGBC63	UGBC63P	UGPU63TZ	UGPU63CU		REPTS650

- 1 = Corpo ugello
- 2/A = Resistenza spiralata
- 2/B = Resistenza in fusione con TCJ
- T = Termocoppia tipo J
- 3 = Boccola
- 4 = Puntale (0= TZM 1= Cu-Be)
- 6 = Anello di centraggio
- 7 = O-RING
- 8 = Resistenza spiralata con TCJ

ØC = Standard : 16 - A richiesta: 17  
 Ød = standard: 3,0 - A richiesta: 2,0 +4,5  
 P = standard: 25 - A richiesta: 0,5 + 24,9