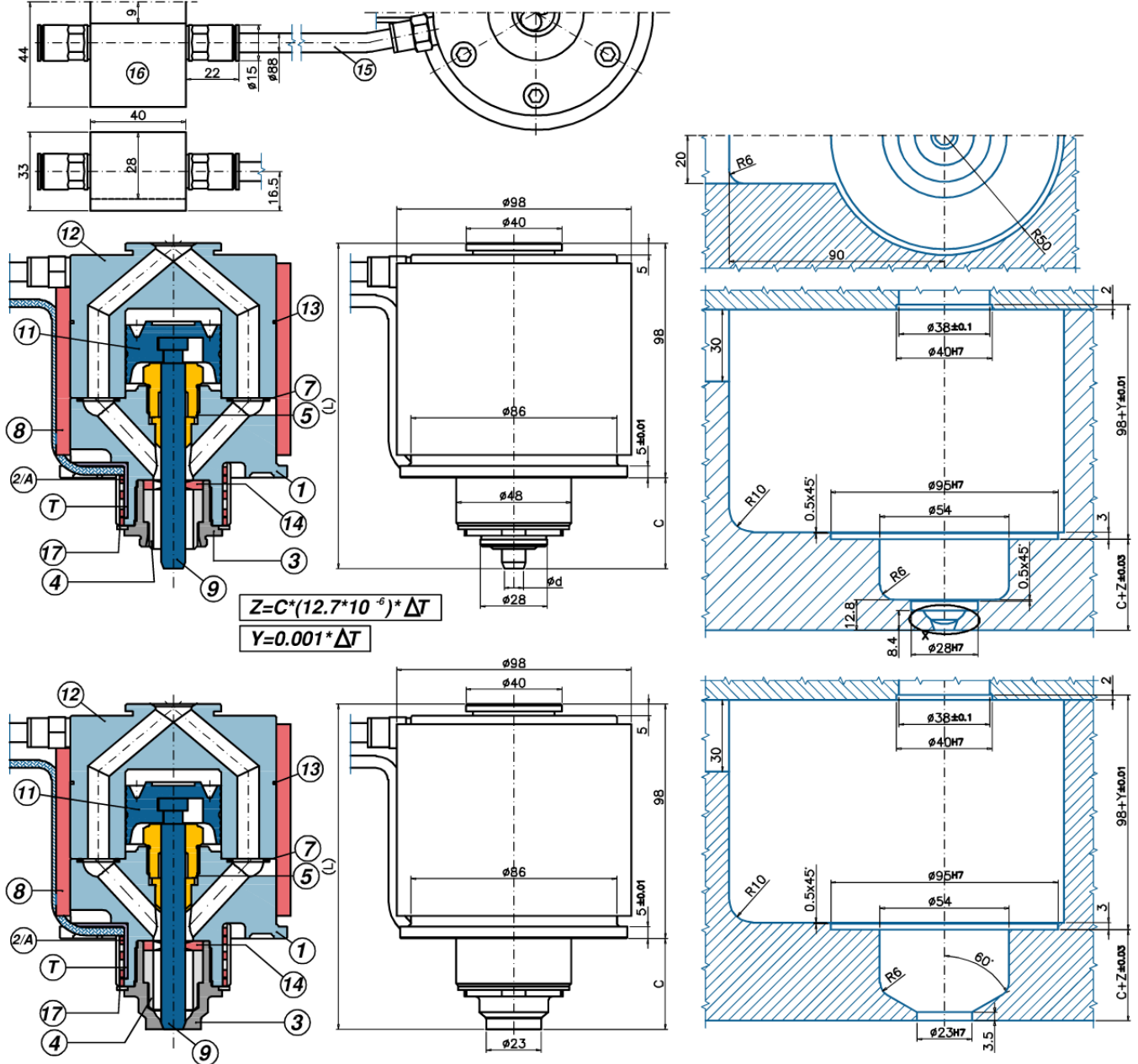


**TP** Boccola aperta (T6)



**BC** Boccola chiusa (T6B)

Ugello	L	C	1	A 2/A	B 2/B	T	3/- 3/P	7	8	9	11	12	13
UGTL81 30BC	S	A	-	136	38	UGTL8130CF	REPNSP8101	S150851000J	UGTL810BF	UGTL813T	UGTL8100P	UGTL8100CT	S151551000J
UGTL81 30TP	S	A	-	136	38	UGTL8130CF	REPNSP8101	S150851000J	UGTL810TF	UGTL813T	UGTL8100P	UGTL8100CT	S151551000J
UGTL81 50BC	S	A	-	156	58	UGTL8150CF	REPNSP8102	S150851000J	UGTL810BF	UGTL815T	UGTL8100P	UGTL8100CT	S151551000J
UGTL81 50TP	S	A	-	156	58	UGTL8150CF	REPNSP8102	S150851000J	UGTL810TF	UGTL815T	UGTL8100P	UGTL8100CT	S151551000J
UGTL81 70BC	S	A	-	176	78	UGTL8170CF	REPNSP8103	S151051000J	UGTL810BF	UGTL817T	UGTL8100P	UGTL8100CT	S151551000J
UGTL81 70TP	S	A	-	176	78	UGTL8170CF	REPNSP8103	S151051000J	UGTL810TF	UGTL817T	UGTL8100P	UGTL8100CT	S151551000J
UGTL81 90BC	S	A	-	196	98	UGTL8190CF	REPNSP8104	S151551000J	UGTL810BF	UGTL819T	UGTL8100P	UGTL8100CT	S151551000J
UGTL81 90TP	S	A	-	196	98	UGTL8190CF	REPNSP8104	S151551000J	UGTL810TF	UGTL819T	UGTL8100P	UGTL8100CT	S151551000J

- Solo impronta singola
- 1= Corpo ugello
- 2/A = Resistenza spirale
- 2/B = Resistenza in fusione con TCJ
- 3 = BC (Boccola chiusa) - TP (Boccola aperta)
- 4 = Puntale UGPU67CU (Cu-Be), a richiesta UGPU67TZ (TZM)
- 5 = Guarnizione otturatore
- 7 = O-Ring (N.2 UGACOR14)
- 8 = Resistenza fascia tipo PI
- 9 = Otturatore Ø 10

- 11= Pistone pneumatico
- 12= Corpo otturatore
- 13= Termocoppia J
- 14= Ghiera di centraggio a richiesta (UGTL81GH)
- 15= Raccordi+tubi aria (UGTL81RC)
- 16= Bloccetto di alluminio (UGTL8BL)
- 17= Anello seeger
- T= Termocoppia J
- Ød= Standard 6,0 - A richiesta: 4,0+ 8,0

